



Portable Air Conditioners Condensate Pump Kit

Model: WPC-9000

User's & Installation Manual

Component Parts

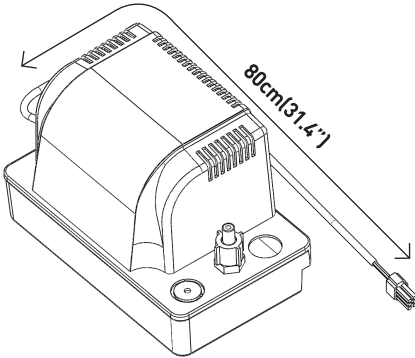


Figure 1 – condensate pump

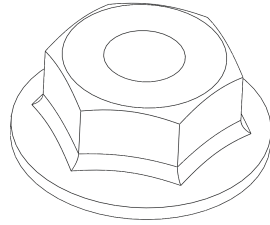


Figure 2 – flange nut two piece

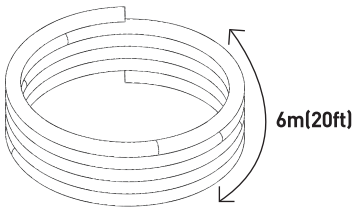


Figure 3 – hose.01

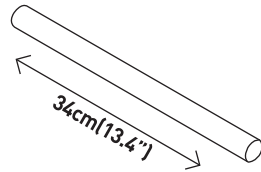


Figure 4 – hose.02

ASSEMBLY

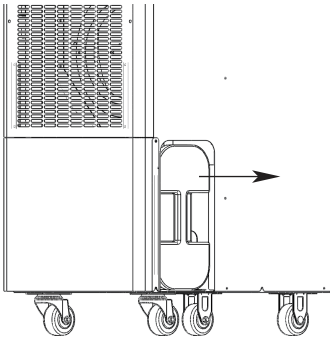


Figure 5 – Front and Right Side View

1. Turn off the air conditioner.
2. Remove the water tank.

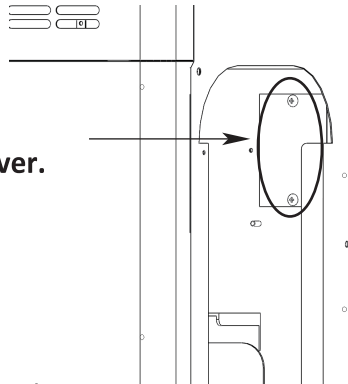


Figure 6 – Right Side View

1. Remove the bolts(2) and remove the cover.

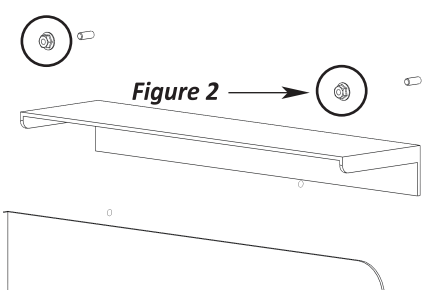
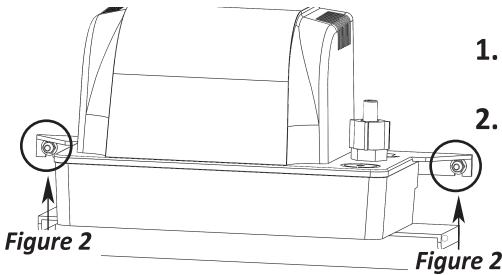


Figure 7 – Right Side View

1. Tighten the nuts(2) about 1/3 on the bolts. (To be able to hang the condensate pump)



1. Put the condensate pump (figure 1) on the bolts (2)
2. Tighten the nuts (figure 2)

Figure 8 – Right Side View

1. Connect the wire of the condensate pump to the terminal.

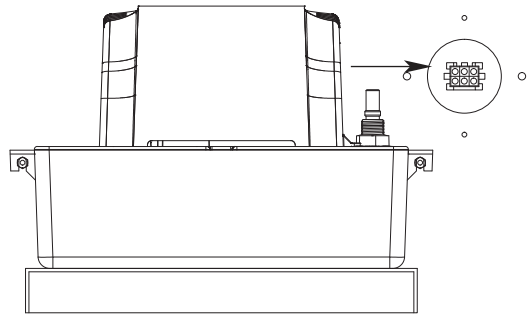
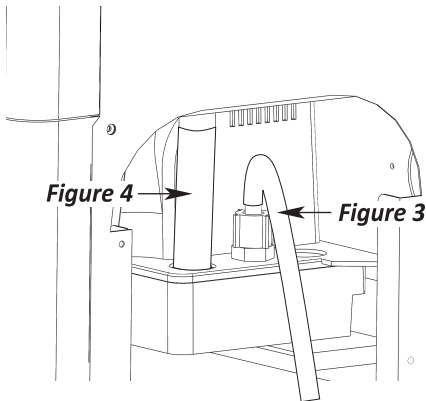


Figure 9 – Right Side View



1. Connect the hose.01 (figure 3) to the condensate pump as in the figure 10.
2. Connect the hose.02 (figure 4) to the condensate pump as in the figure 10.
3. Turn on the air conditioner then
◦ condensate pump operates automatically.

Figure 10 – Right Side View